

# HQ HEATING SDN BHD (702148-U)

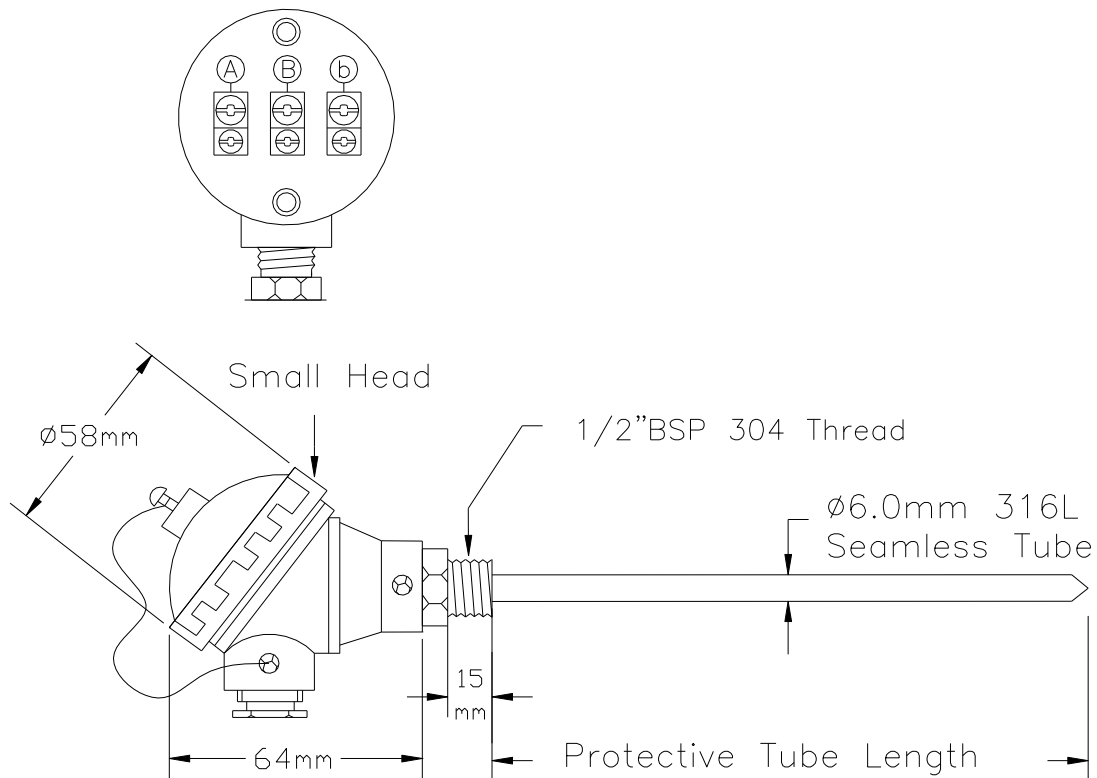
NO. 69, Jalan Laksamana 6, Off Jalan Sungai Jati,

Taman Sentosa, 41200 Klang Darul Ehsan, Malaysia.

Tel : 603 - 5162 7010 / 5162 1111 Fax : 603 - 5162 7011

Email : hqheating69@gmail.com Website : www.hqheating.com.my

## STANDARD PTC1 PT100 OHMS



### SPECIFICATION

TYPE OF ELEMENT	Din Pt100 ohm
NUMBER OF WIRE	3-wire system
CLASS	B
THERMAL CONTACT	Ungrounded Type
INSULATION	Ceramic
TERMINAL HEAD MATERIAL	Aluminium Die-Cast
PROTECTIVE TUBE MATERIAL	SUS316L Seamless Tube
THREAD MATERIAL	SUS304
MEASUREMENT RANGE	0°C to 400°C
PROTECTIVE TUBE LENGTH (mm)	100 , 150 , 200 , 250 , 300mm

9/9/21

## HQ HEATING SDN BHD (702148-U)

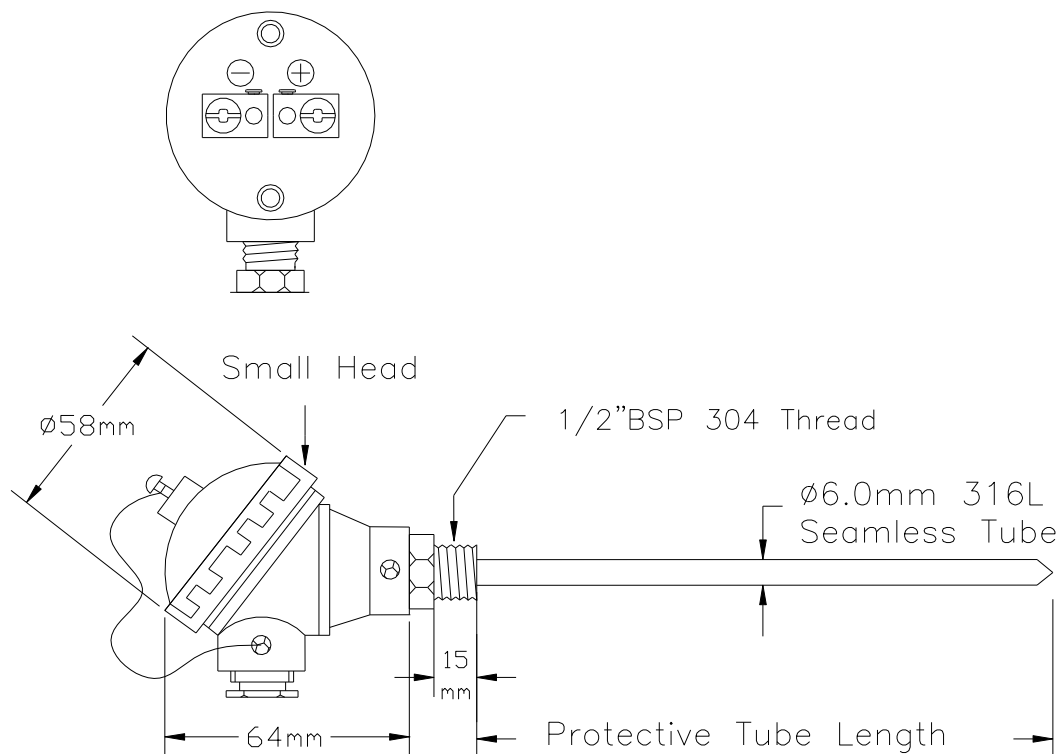
NO. 69, Jalan Laksamana 6, Off Jalan Sungai Jati,

Taman Sentosa, 41200 Klang Darul Ehsan, Malaysia.

Tel : 603 - 5162 7010 / 5162 1111 Fax : 603 - 5162 7011

Email : hqheating69@gmail.com Website : www.hqheating.com.my

### STANDARD KC1 TYPE K THERMOCOUPLE



### SPECIFICATION

TYPE OF ELEMENT	K-Type , CHROME(+)-ALUMEL(-)
NUMBER OF TERMINAL	2 Pole
CLASS	0.75
THERMAL CONTACT	Ungrounded Type
INSULATION	Ceramic
TERMINAL HEAD MATERIAL	Aluminium Die-Cast
PROTECTIVE TUBE MATERIAL	SUS316L Seamless Tube
THREAD MATERIAL	SUS304
MEASUREMENT RANGE	0°C to 800°C
PROTECTIVE TUBE LENGTH (mm)	100 , 150 , 200 , 250 , 300mm

9/9/21